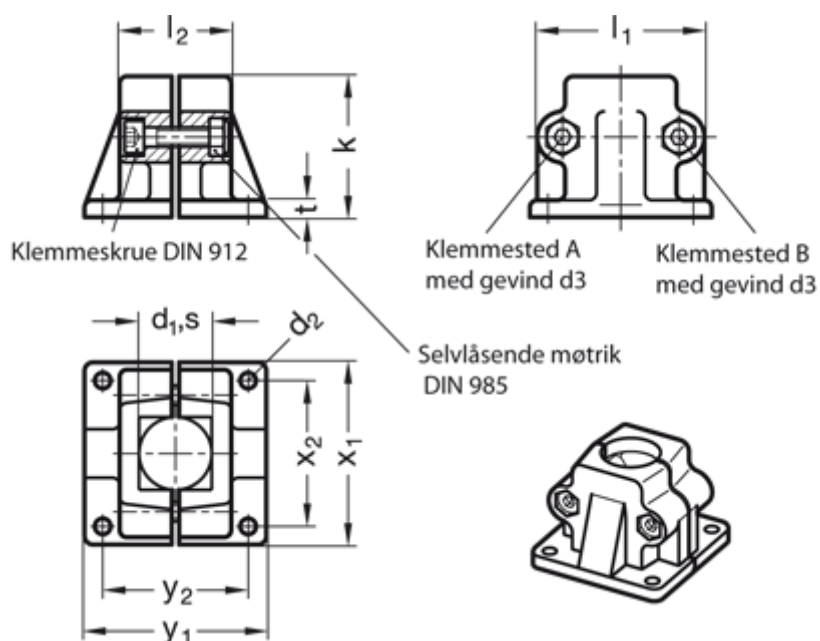


Article number: 20165B422BL

Description: E+G

Base plate clamp GN165-B42-2-BL

Measures



Adjustable clamp lever = GN 911-M10-63 have to be ordered separately

d1	= B48
d2	= 11
d3	= M10
k	= 91
l1	= 98
l2	= 70
t	= 14

x1 = 115

x2 = 90

y1 = 119

y2 = 90